



Engine	Kubota D902
Net Power	11.8 kW (15.8 hp / 16 ps) @ 2,300 rpm
Maximum Dig Depth	2,255 mm (7'5")
Standard Bucket Capacity	0.045 m ³ (0.06 yd ³)
Operating Weight (steel track)	1,850 kg (4,078 lbs)
Operating Weight (rubber track)	1,750 kg (3,858 lbs)

9017Fzts EXCAVATOR

9017F_{ZTS} SPECIFICATIONS >>>

ENGINE

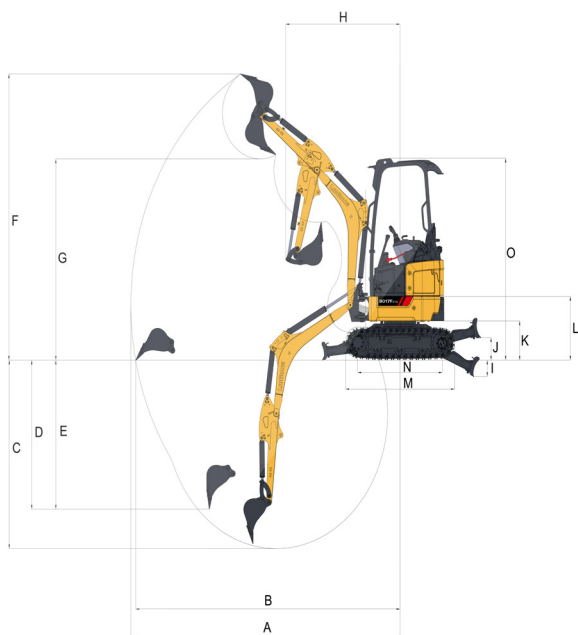
Emission Regulation	Tier 4F / Stage V
Make	Kubota
Model	D902
Net Power	11.8 kW (15.8 hp / 16 ps) @ 2,300 rpm
Peak Torque	51.3 N·m (37.8 lbf·ft) @ 1,800 rpm
Number of Cylinders	3
Displacement	0.898 L

UNDERCARRIAGE

Shoe Width	230 mm (9 in)
Number of Shoes per Side	37 (Metal) / 70 (Rubber)
Number of Bottom Rollers per Side	3

WORKING RANGE

A. Max. Digging Reach	3,910 mm (13")
B. Max. Digging Reach on Ground	3,840 mm (12'7")
C. Max. Digging Depth	2,255 mm (7'5")
D. Max. Digging Depth, 2.44 m (8') level	-
E. Max. Vertical Wall Digging Depth	1,780 mm (6')
F. Max. Cutting Height	3,420 mm (11'2")
G. Max. Dumping Height	2,400 mm (8')
H. Min. Front Swing Radius	1,661 mm (5')
I. Maximum Blade Depth	240 mm (9'5")
J. Maximum Blade Height	240 mm (9'5")
K. Counterweight Ground Clearance	469 mm (1'6")
M. Track Length	1,584 mm (5'6")
N. Length to Center of Rollers	1,230 mm (4')
O. Shipping Height – Top of Boom	2,410 mm (8')



BOOM & ARM

Boom Length	1,685 mm (5'6")
Arm Length	1,070 mm (3'6")

BUCKET PERFORMANCE

Std. Bucket Heaped Capacity (Referenced)	0.045 m ³ (0.06 yd ³)
--	--

TRACK DRIVE

Maximum Travel Speed	4.0 km/h (2.49 mph)
Drawbar Pull	16 kN (3,597 lbf)

SERVICE CAPACITIES

Fuel Tank	22 L (5.8 gal)
Engine Oil	3.7 L (1.2 gal)
Cooling System	3.0 L (0.79 gal)
Hydraulic Reservoir	15 L (3.96 gal)

HYDRAULIC SYSTEM

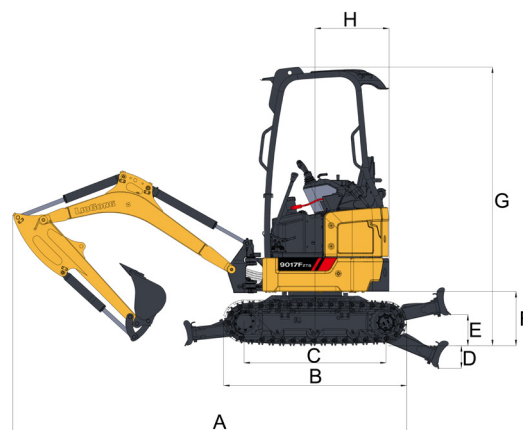
Main Pumps Total Flow	44 L/min (11.6 gal/min)
Relief Pressure, main	21 MPa (3,046 psi)

SWING SYSTEM

Swing Speed	9.5 rpm
-------------	---------

DIENSIONS

A Shipping Length	3,445 mm (11'8")
B Track Length	1,584 mm (5'6")
C Length to Center of Rollers	1,230 mm (4')
D Maximum Blade Depth	240 mm (9'5")
E Maximum Blade Height	240 mm (9'5")
F Counterweight Ground Clearance	469 mm (1'6")
G Shipping Height – Top of Boom	2,410 mm (8')
H Min. Front Swing Radius	645 mm (2'1")



Guangxi Liugong Machinery Co., Ltd.

No. 1 Liutai Road, Liuzhou, Guangxi 545007, PR China
T: +86 772 3886124 E: overseas@liugong.com
www.liugong.com

Specifications and designs are subject to change without notice. Machines shown may include optional equipment. Liugong standard and optional equipment may vary from region to region. Please consult your Liugong dealer for information specific to your area. Engine power kW is converted to horsepower (1 kW=1.3596 ps and 1 kW=1.3410 hp) in this file.

05/2022 Designed by LiuGong
Replace the previous version of 04/2022